
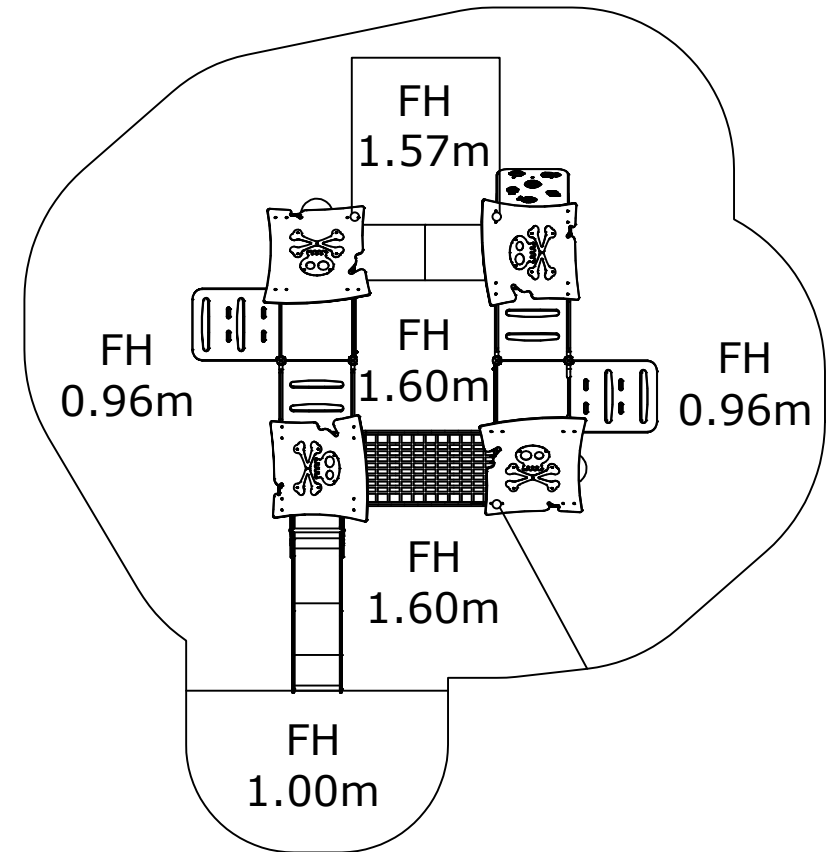
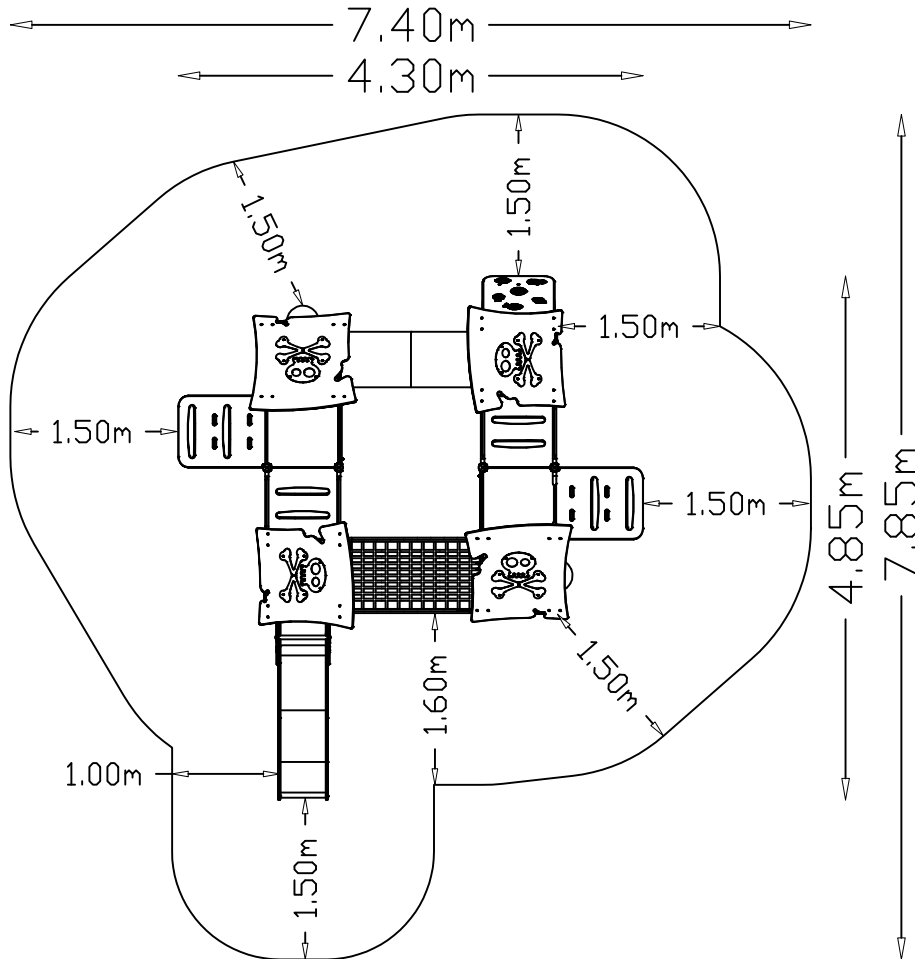


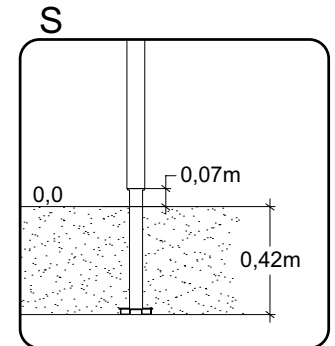
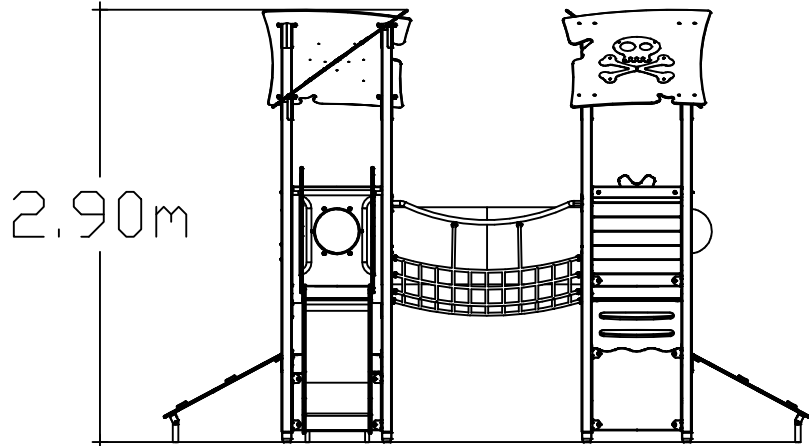
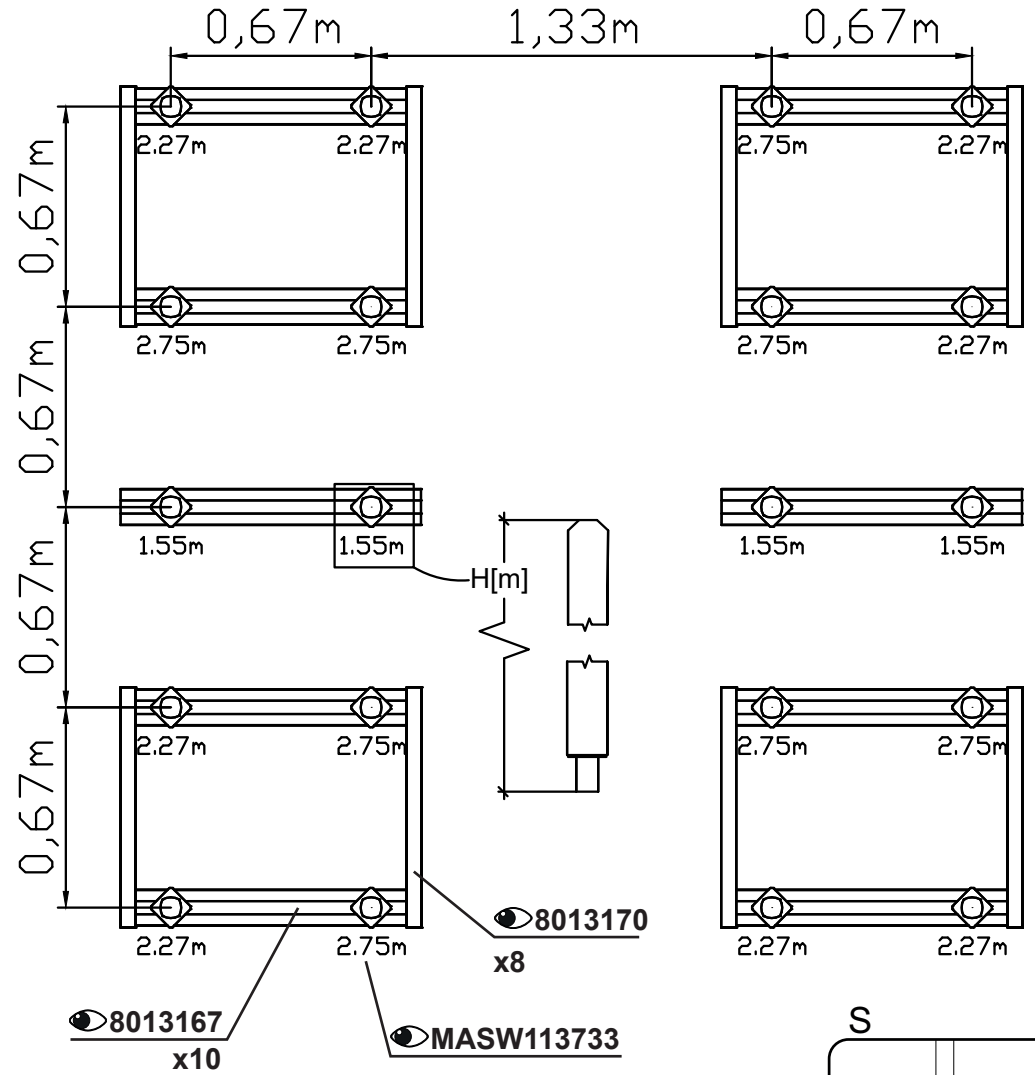
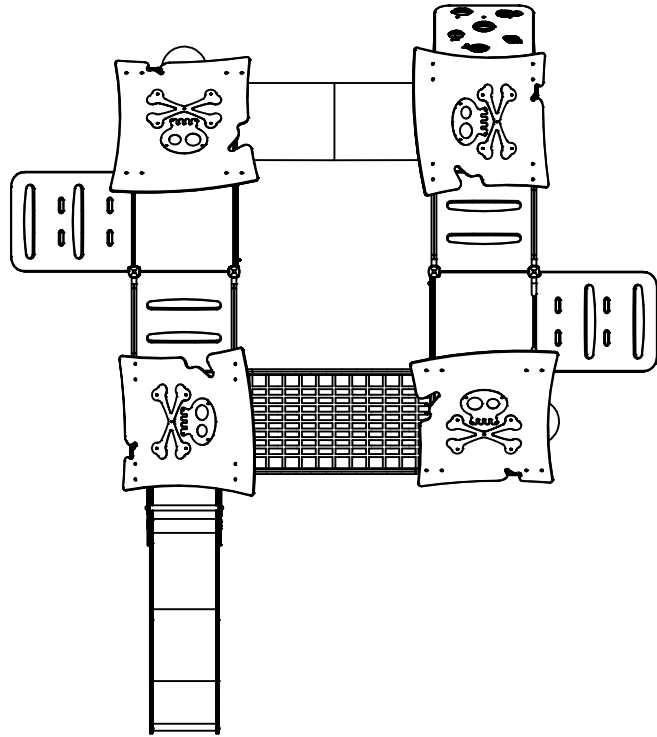
S6

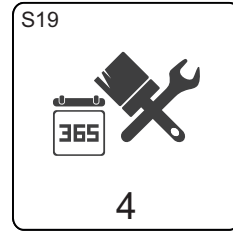
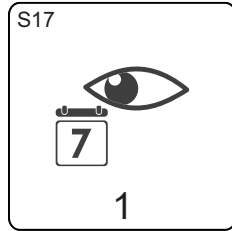
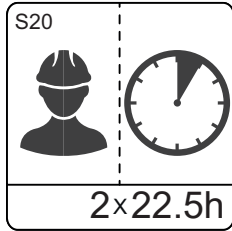
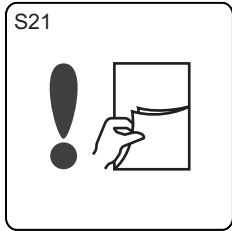


EN1176
1.60m

EN1176

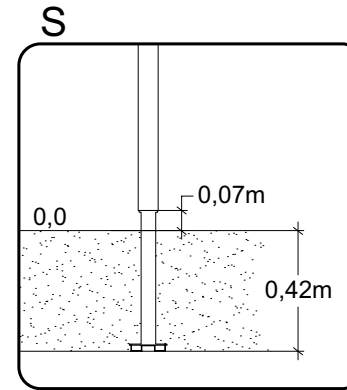




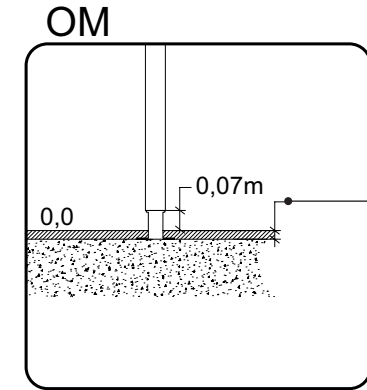


MASW113733

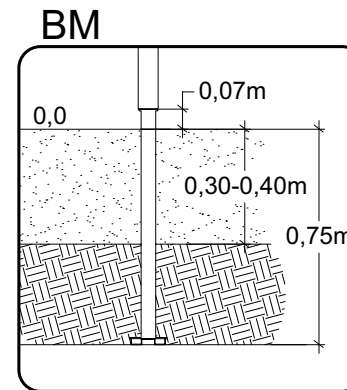
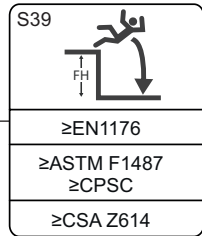
260329
6099
6342
612313
676106
62099113
6211 01
6342BM
MA6101
MA612110
MA612110_OM
MASW113733
MASW121245
MASW35156
MASW44481
MASW78431
MASW79987
OM6342



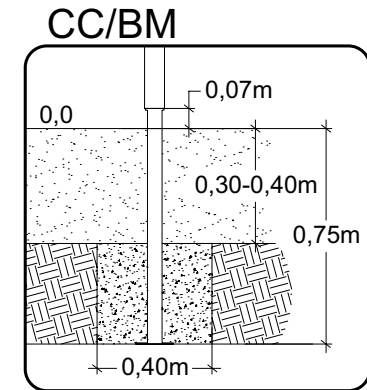
S
Sunken Foundation
 8057449



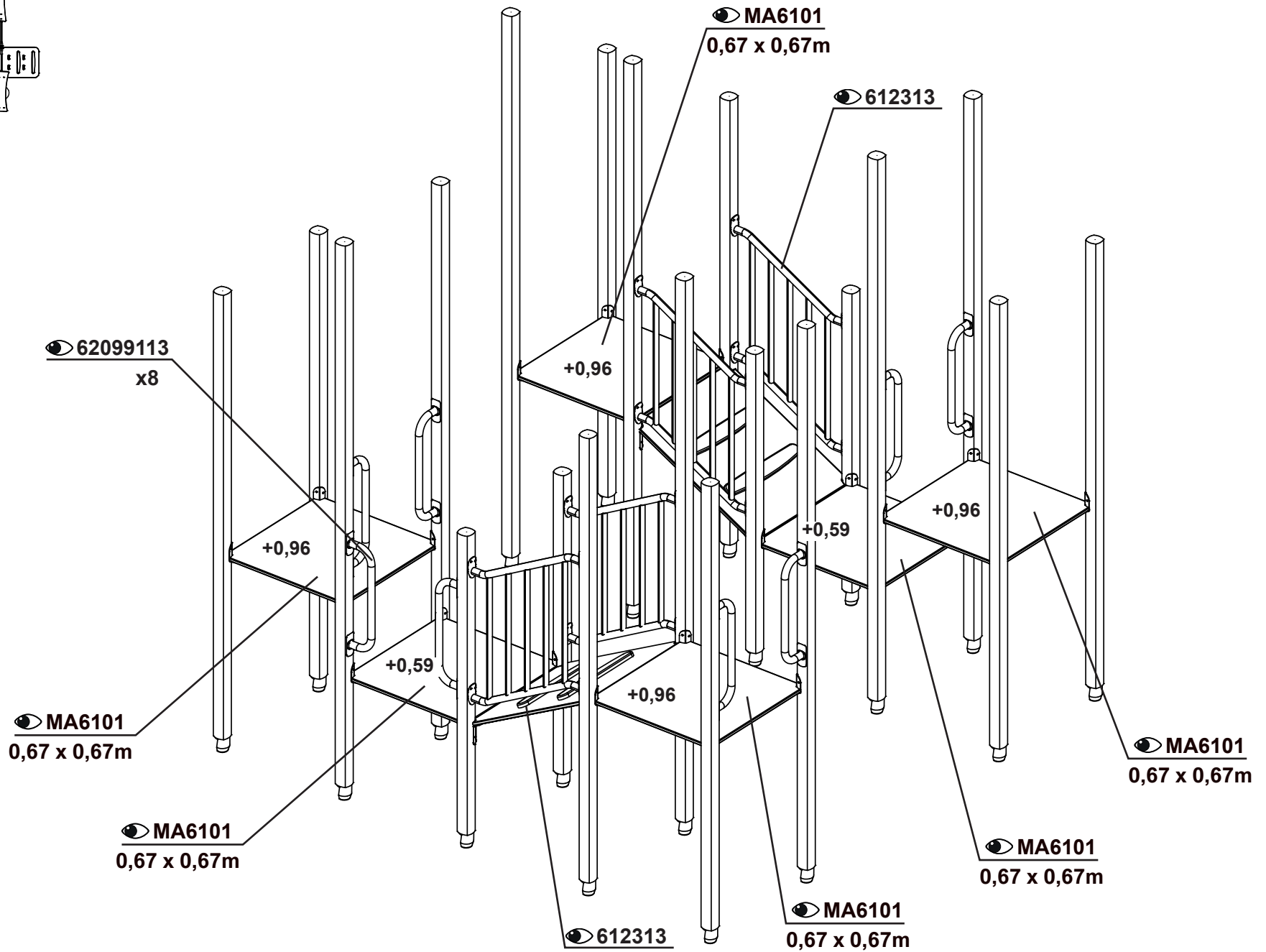
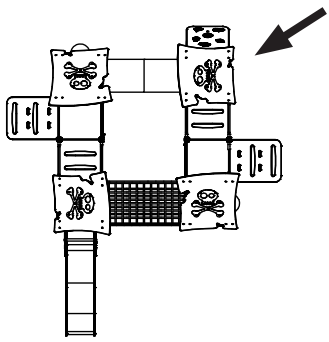
OM
Above Ground
 8057450

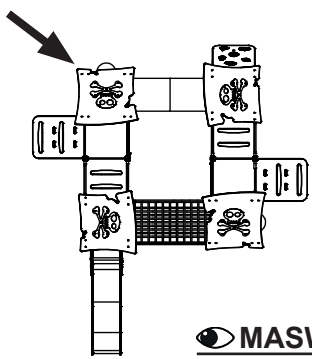


BM
Loosefill



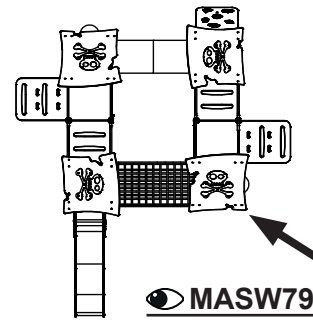
CC/BM
Cast Loosefill





MASW79987
SW46529

MASW79987
SW47888



MASW79987
SW46529

MASW79987
SW47894

MASW79987
SW47944

6211 01
PA

6211 01
PA

6211 01
PA

MASW79987
SW45956

MASW79987
SW45956

MASW79987
SW46529

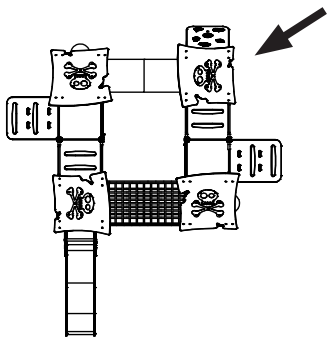
MASW79987
SW45956

MASW79987
SW45956

MASW79987
SW45956

MASW79987
SW47762

MASW79987
SW47944

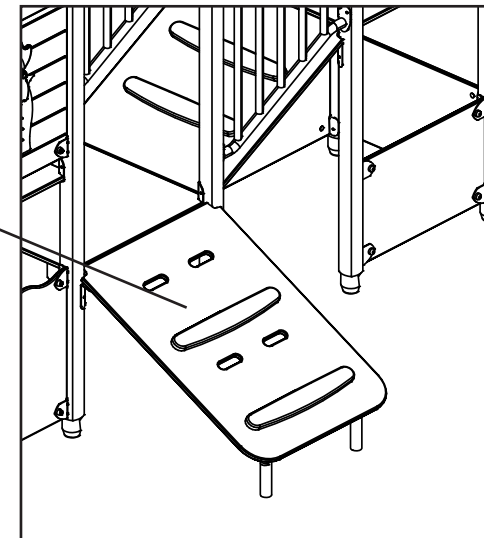


● MASW121245

+1,60m

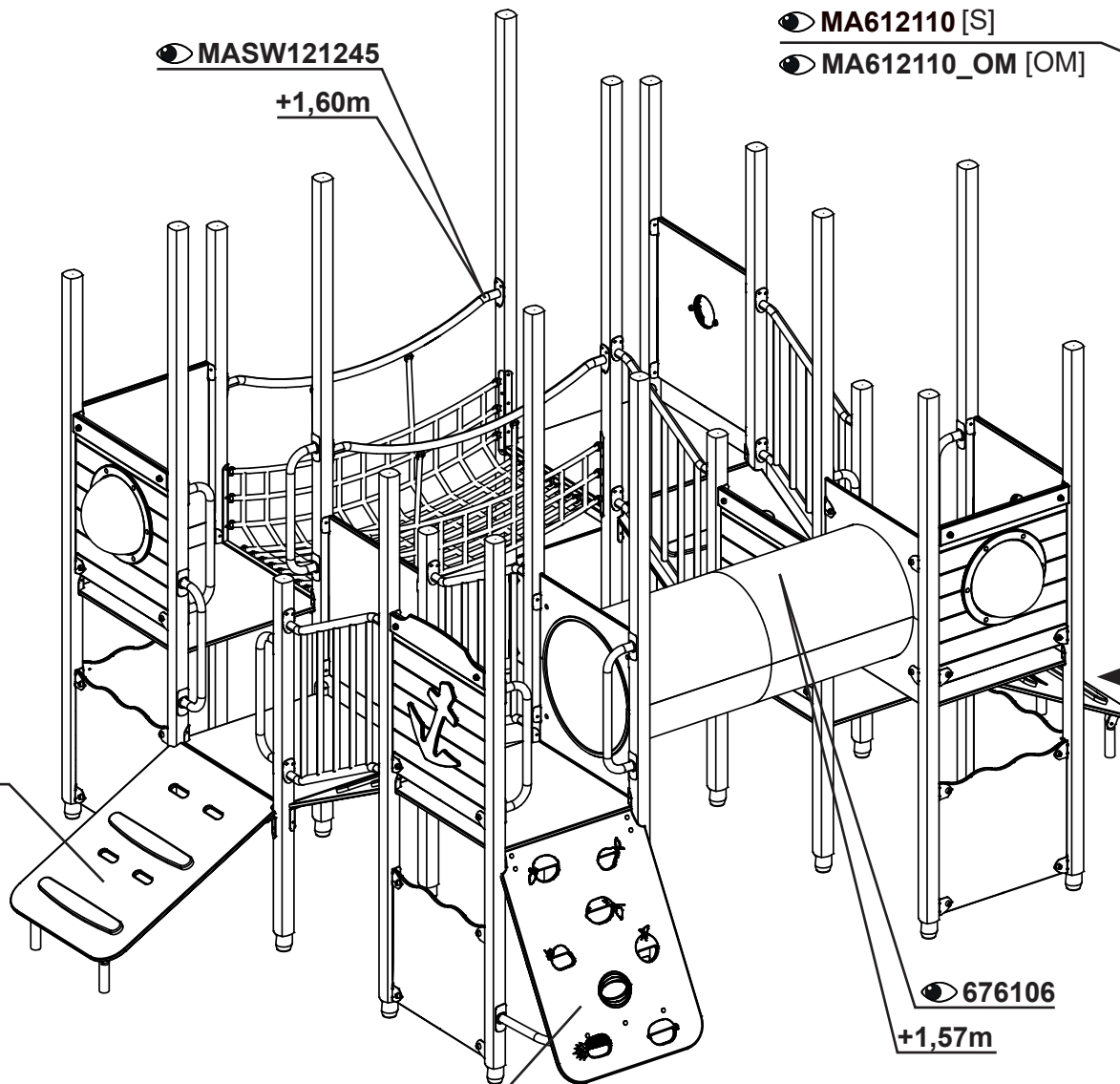
● MA612110 [S]

● MA612110_OM [OM]



● MA612110 [S]

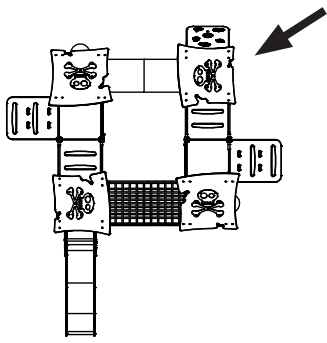
● MA612110_OM [OM]



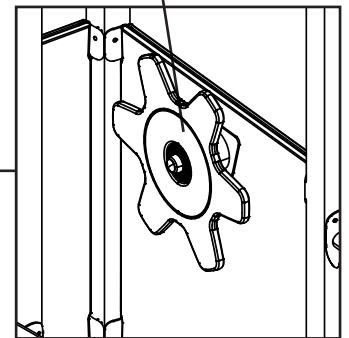
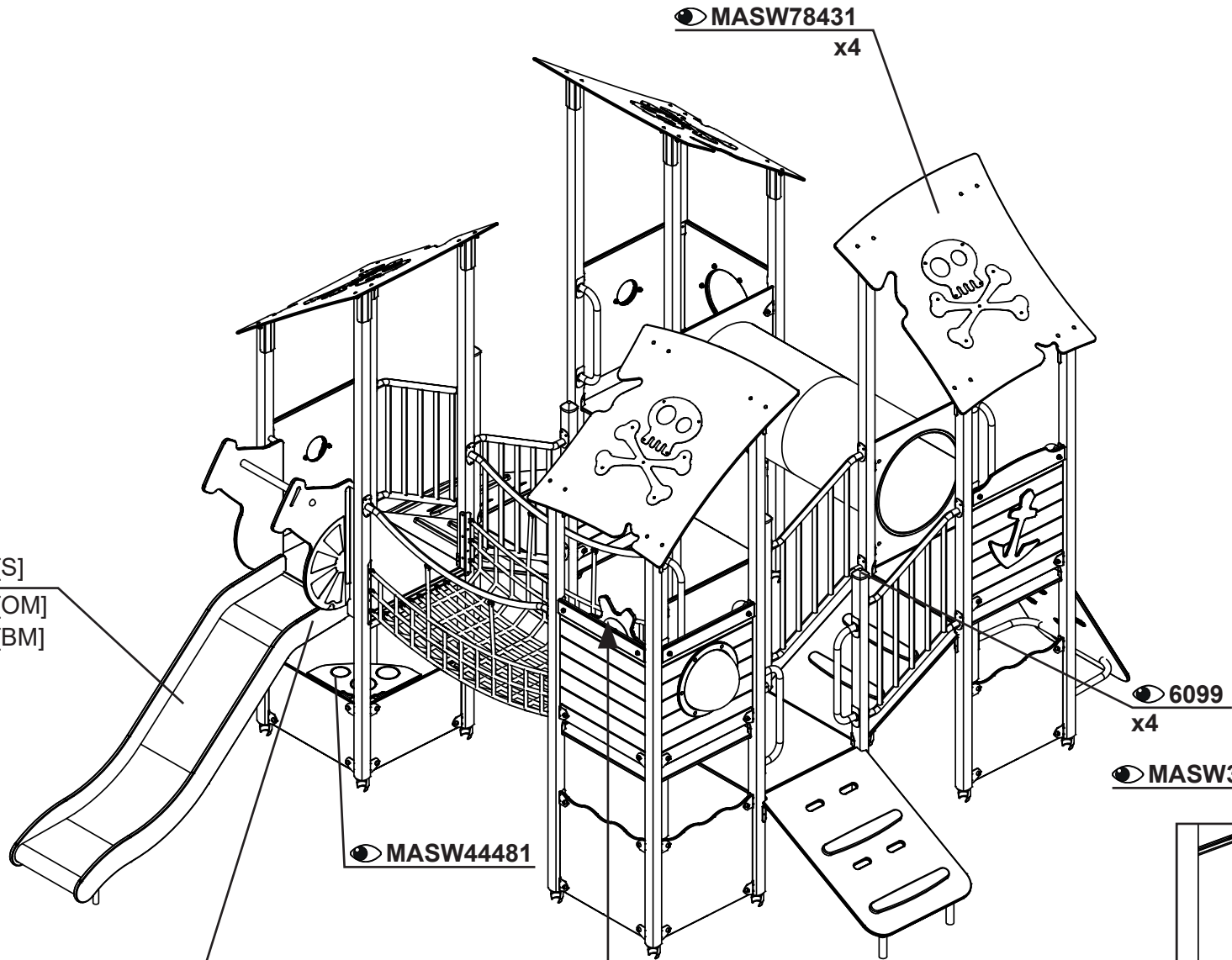
● 676106

+1,57m

● MASW78431



- 6342 [S]
- OM6342 [OM]
- 6342BM [BM]



HAGS 260329